

DORNBRAUCHT YAMOU Three-hole basin mixer with pop-up waste - Chrome

20 713 831



- 125mm projection
- circular, air-enriched flow
- height of mixer 100 mm
- height up to aerator 85 mm
- hole diameter valve 32 mm
- hole diameter spout 35 mm
- rosette Ø 60 mm
- 2x screw-in M 8 x 1 pressure hose, leak-tested
- max. flow 6.8 l/min
- rosette Ø 60 mm



Chrome

20 713 831-00



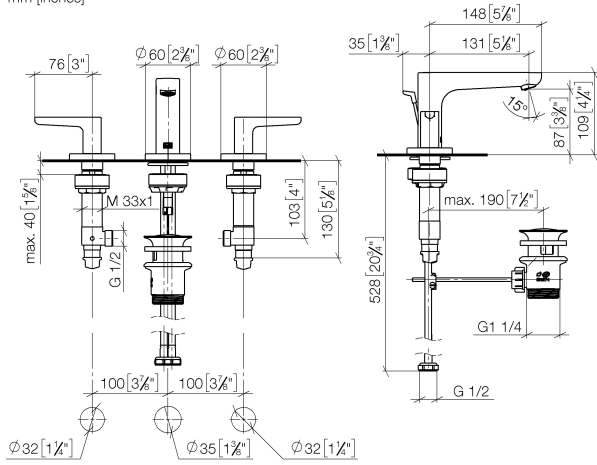
Soft Black

20 713 831-69

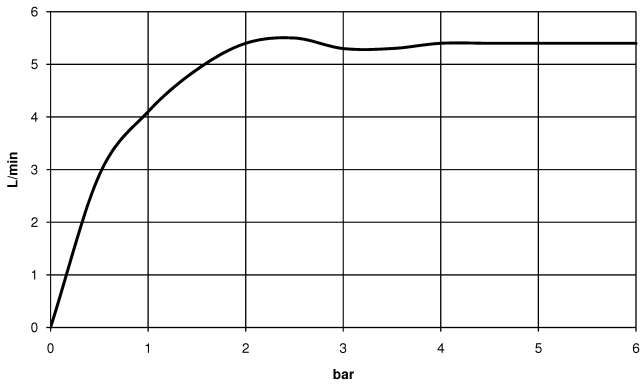
DORNBRAUCHT YAMOU Three-hole basin mixer with pop-up waste - Chrome

20 713 831

mm [inches]



Flow rate chart



Certificates

WRAS_2310319. AbP_10175. ACS_23 ACC NY
501.



DORNBACHT YAMOU Three-hole basin mixer with pop-up waste - Chrome

20 713 831

Spare parts list

No.	Item Number	Name	Quantity used	Delivery time
1	90 20 83 067 00-00	handle (hot)	1	-
	Spare part can no longer be ordered, please order the replacement item			
2	90 30 11 301 00 90	fixing set	2	-
	Spare part can no longer be ordered, please order the replacement item			
3	90 17 11 061 00 90	side panel	1	-
	Spare part can no longer be ordered, please order the replacement item			
4	90 19 83 014 00-00	spout	1	-
	Spare part can no longer be ordered, please order the replacement item			
5	90 30 04 114 00 90	hose	1	-
	Spare part can no longer be ordered, please order the replacement item			
6	90 30 11 309 01 90	insert	1	-
	Spare part can no longer be ordered, please order the replacement item			
7	90 30 11 309 00 90	fixing set	1	-
	Spare part can no longer be ordered, please order the replacement item			
8	90 20 83 066 00-00	handle (cold)	1	-
	Spare part can no longer be ordered, please order the replacement item			
9	90 17 11 060 00 90	side panel	1	-
	Spare part can no longer be ordered, please order the replacement item			
10	90 11 01 200 00-00	pop-up waste	1	2